

UNIVERSAL Patented

metalfire

Technical Document

Model: UNIVERSAL MF 1050-800-60 W EXT



Dimensions (mm)

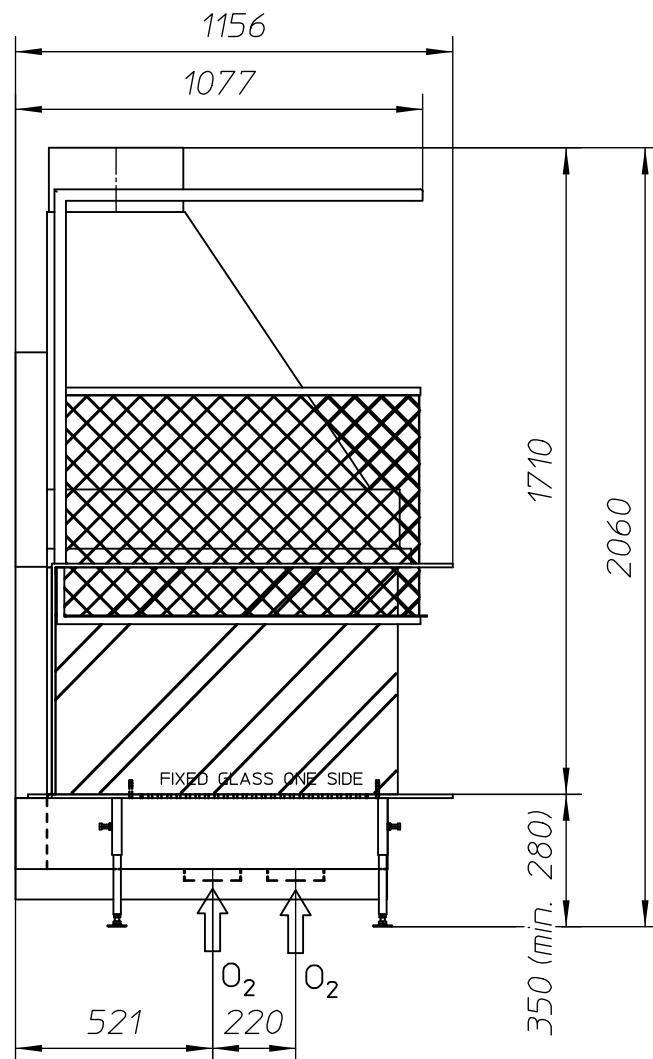
- combustion chamber WxDxH 1050 x 580 x 600
- external WxDxH: 1156 x 800 x 2060
- stoke grate WxD: 600 x 370
- fresh air: 2 x ϕ 150

Specifications

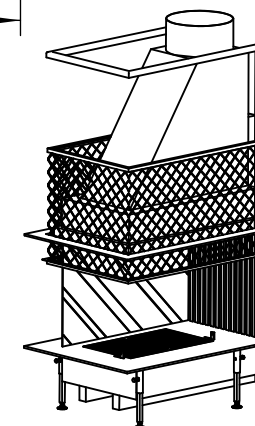
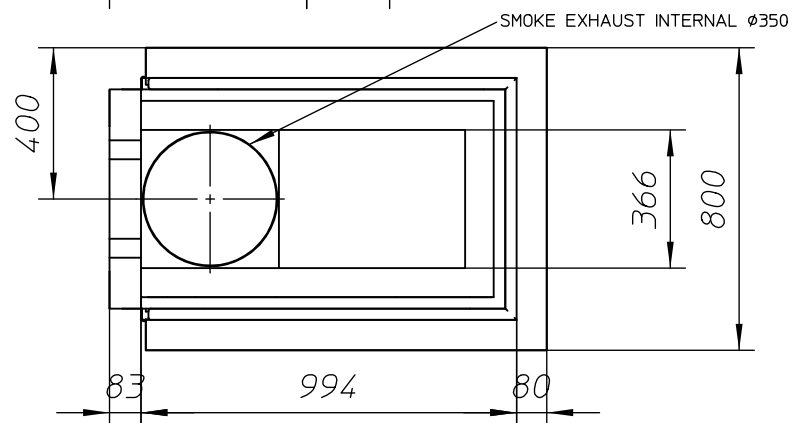
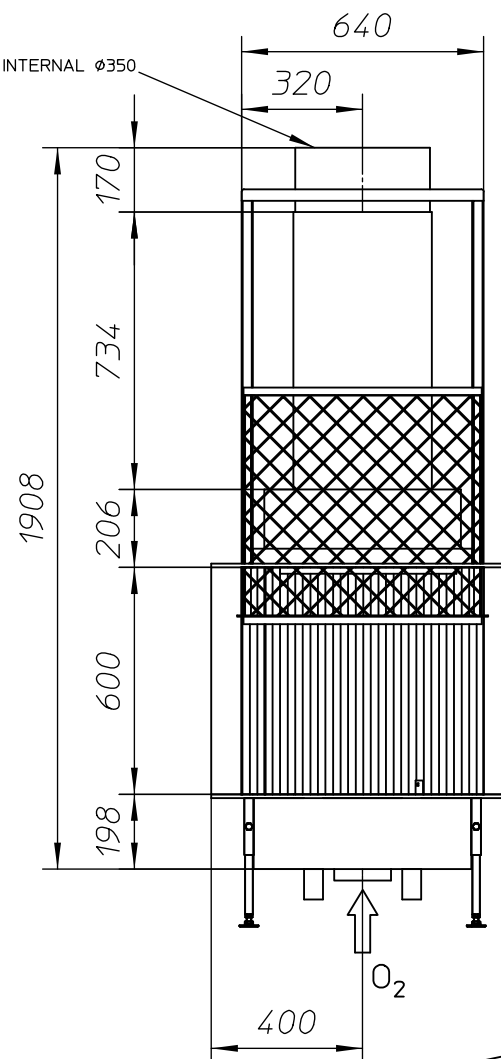
- finishing: heat-resistant black paint
- lockable valve for fresh air and smoke gases
- two-piece cast iron stoke grate
- sliding door in metal wire mesh (black H-R paint)
- finishing: heat-resistant black paint
- interior finishing: ORIGINAL (ribbed cast iron)

Options

- chimney fan RSV 14
- convection jacket (see options)
- interior finishing: MINIMAL  DESIGN 



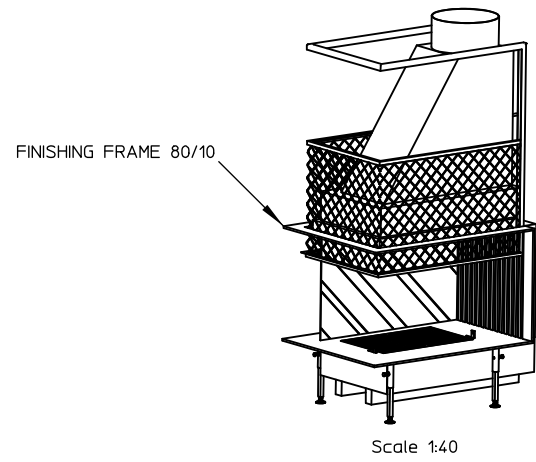
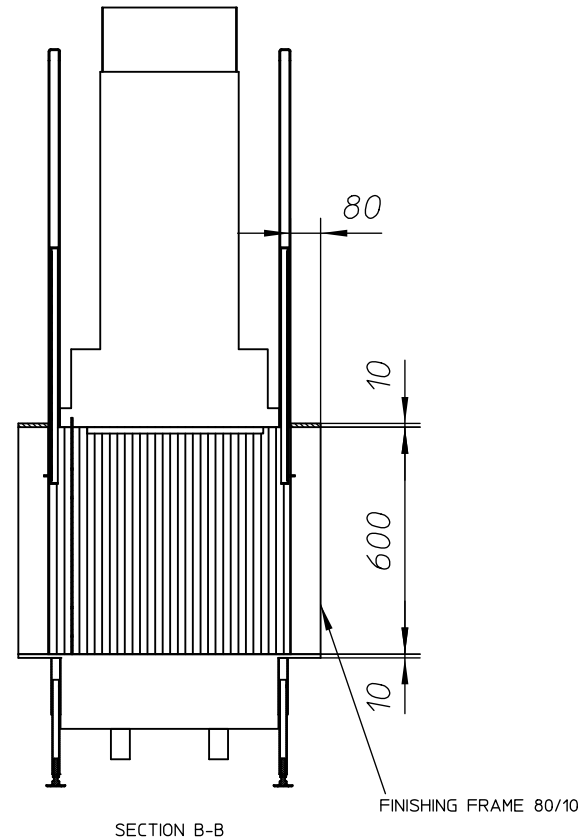
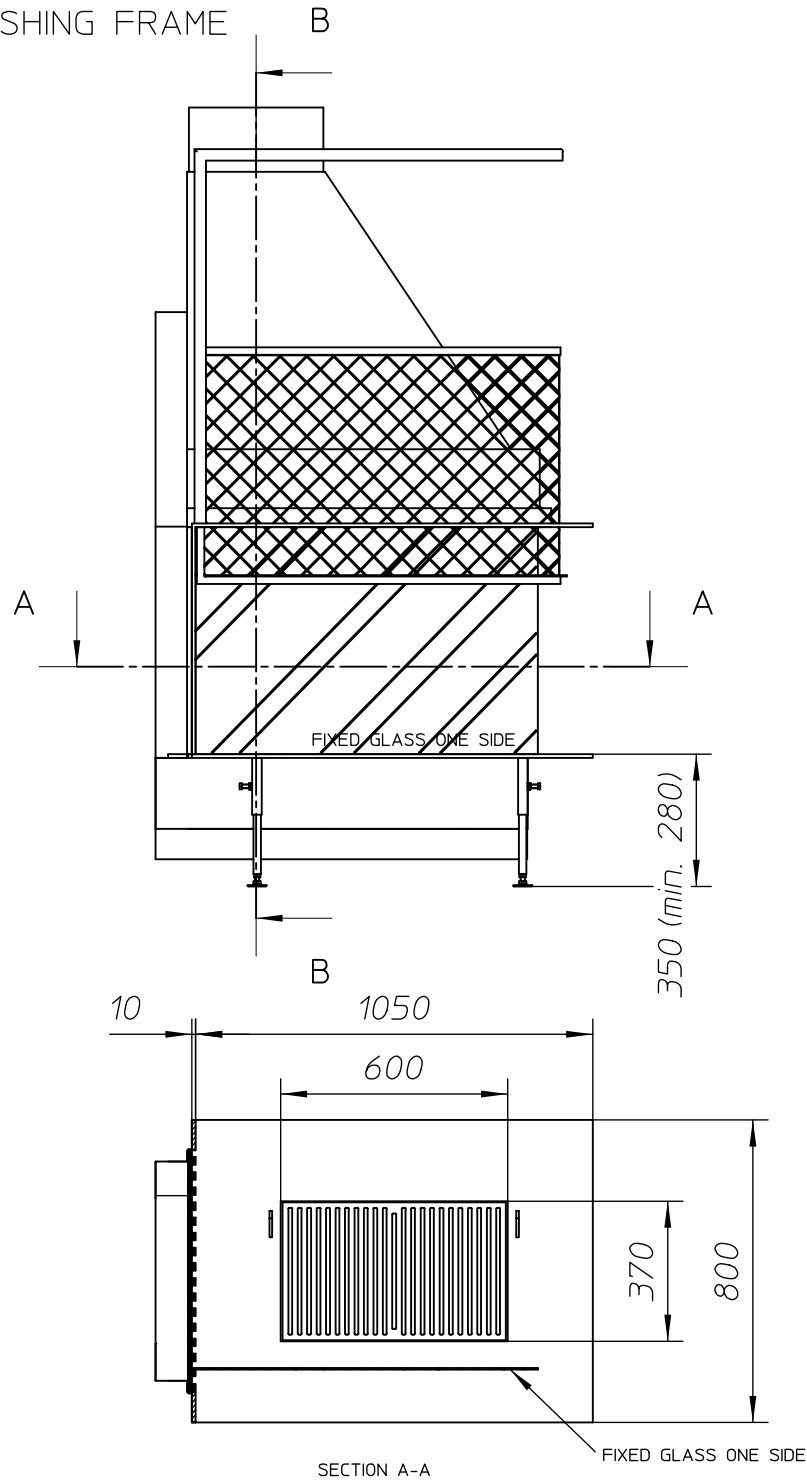
SMOKE EXHAUST INTERNAL ϕ 350



Scale 1:40

scale 1:20	Rev. -1
General dimensional tolerances up to 6mm Metalfire preserves the right to modify specifications without previous notice	Sheet 1/3

WITH FINISHING FRAME



UNIVERSAL Patented

metalfire

Technical Document

Model: UNIVERSAL MF 1050-800-60 W EXT



Dimensions (mm)

- combustion chamber WxDxH 1050 x 580 x 600
- external WxDxH: 1156 x 800 x 2060
- stoke grate WxD: 600 x 370
- fresh air: 2 x \varnothing 150

Specifications

- finishing: heat-resistant black paint
- lockable valve for fresh air and smoke gases
- two-piece cast iron stoke grate
- sliding door in metal wire mesh (black H-R paint)
- finishing: heat-resistant black paint
- interior finishing: ORIGINAL (ribbed cast iron)

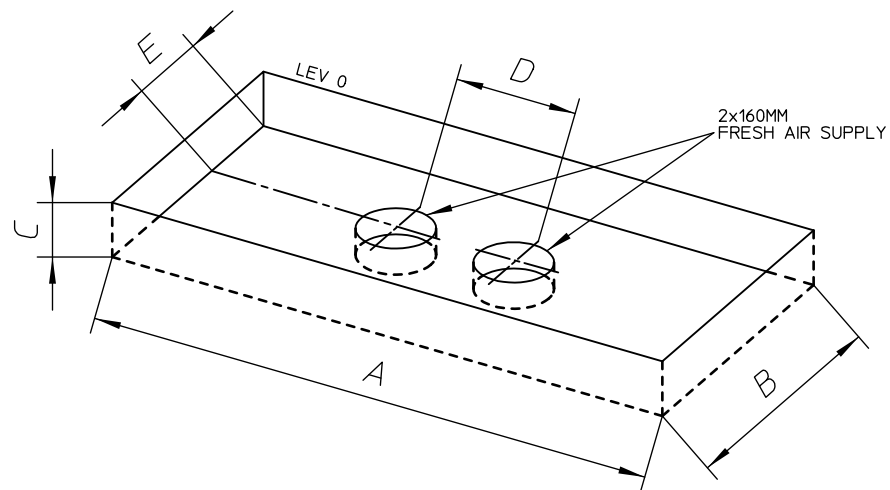
Options

- chimney fan RSV 14
- convection jacket (see options)
- interior finishing: MINIMAL  DESIGN 

scale 1:20 Rev. -1

General dimensional tolerances up to 6mm
Metalfire preserves the right to modify specifications without previous notice Sheet 2/3

TECHNICAL PROVISION



3-SIDES 2-SIDES FRONT

(mm)	A	B	C	D	E
MF 1050-50/75	1260	610	225	220	340
MF 1300-50/75	1510	610	225	220	340
MF 1500-50	1710	610	225	220	340
MF 1900-50	2110	610	225	220	340
MF 1050-50/75	1210	610	225	220	340
MF 1300-50/75	1460	610	225	220	340
MF 1500-50	1660	610	225	220	340
MF 1900-50	2060	610	225	220	340
MF 1050-50/75	1200	640	280	220	370
MF 1300-50/75	1450	640	280	220	370
MF 1500-50	1650	640	280	220	370
MF 1900-50	2050	640	280	220	370
MF 1050-800-600 EXT	1200	800	280	220	400

UNIVERSAL Patented

metalfire

Technical Document

Model: UNIVERSAL MF 1050-800-600 W EXT



Dimensions (mm)

- combustion chamber WxDxH 1050 x 580 x 600
- external WxDxH: 1156 x 800 x 2060
- stoke grate WxD: 600 x 370
- fresh air: 2 x ϕ 150

Specifications

- finishing: heat-resistant black paint
- lockable valve for fresh air and smoke gases
- two-piece cast iron stoke grate
- sliding door in metal wire mesh (black H-R paint)
- finishing: heat-resistant black paint
- interior finishing: ORIGINAL (ribbed cast iron)

Options

- chimney fan RSV 14
- convection jacket (see options)
- interior finishing: MINIMAL  DESIGN 

scale 1:20	Rev. -1
General dimensional tolerances up to 6mm Metalfire preserves the right to modify specifications without previous notice	Sheet 3/3